

Knife-type fuses PPN

TU 3424-050-05758109-2009

Comply with the requirements of GOST R IEC 60269-1-2010



The power fuses of the PPN series are designed to protect against overloads and short circuits of electrical networks and electrical equipment of industrial enterprises, public and residential buildings, of alternating current with a rated voltage up to 500 V, frequency 50 and 60 Hz.



Benefits

- Implementation of any technical solutions
 - full range of products for currents from 6 to 1600 A;
 - large values of the current limit to 50 kA;
 - simple selective coordination;
 - profitability while ensuring high reliability;
 - indication and alarm of the fuse triggering.
- Ensuring reliable operation and safety of operation
 - ability to pass limited values of the expected short circuit current;
 - reliable protection against short circuits and overloads;
 - high quality materials used;
 - long service life and ease of maintenance.
- Advanced applications
 - possibility of application in harsh environments - climatic modification UHL.

Архангельск (8182)63-90-72
Астана (7172)727-132
Астрахань (8512)99-46-04
Барнаул (3852)73-04-60
Белгород (4722)40-23-64
Брянск (4832)59-03-52
Владивосток (423)249-28-31
Волгоград (844)278-03-48
Вологда (8172)26-41-59
Воронеж (473)204-51-73
Екатеринбург (343)384-55-89
Иваново (4932)77-34-06

Ижевск (3412)26-03-58
Иркутск (395)279-98-46
Казань (843)206-01-48
Калининград (4012)72-03-81
Калуга (4842)92-23-67
Кемерово (3842)65-04-62
Киров (8332)68-02-04
Краснодар (861)203-40-90
Красноярск (391)204-63-61
Курск (4712)77-13-04
Липецк (4742)52-20-81
Киргизия (996)312-96-26-47

Магнитогорск (3519)55-03-13
Москва (495)268-04-70
Мурманск (8152)59-64-93
Набережные Челны (8552)20-53-41
Нижний Новгород (831)429-08-12
Новокузнецк (3843)20-46-81
Новосибирск (383)227-86-73
Омск (3812)21-46-40
Орел (4862)44-53-42
Оренбург (3532)37-68-04
Пенза (8412)22-31-16
Казахстан (772)734-952-31

Пермь (342)205-81-47
Ростов-на-Дону (863)308-18-15
Рязань (4912)46-61-64
Самара (846)206-03-16
Санкт-Петербург (812)309-46-40
Саратов (845)249-38-78
Севастополь (8692)22-31-93
Симферополь (3652)67-13-56
Смоленск (4812)29-41-54
Сочи (862)225-72-31
Ставрополь (8652)20-65-13
Таджикистан (992)427-82-92-69

Сургут (3462)77-98-35
Тверь (4822)63-31-35
Томск (3822)98-41-53
Тула (4872)74-02-29
Тюмень (3452)66-21-18
Ульяновск (8422)24-23-59
Уфа (347)229-48-12
Хабаровск (4212)92-98-04
Челябинск (351)202-03-61
Череповец (8202)49-02-64
Ярославль (4852)69-52-93

Design features



The contacts of the Fuse are made in the form of a knife (sharped), which allows them to be installed in holders with less effort.



In the design of the Fuse there is a special indicator, made in the form of a sliding rod, which allows you to visually identify the fuses operated.



Fusible elements are made of electrical copper with soldering from tin, which allows to provide protection against short circuits and overloads.



Ceramic housing has high strength, due to which high rates of breaking capacity are provided.



The method of filling the fuses with filler (high purity quartz sand) allows to achieve a high filling density and provides effective damping of the electric arc inside the fuse when it is triggered.

Structure of the Fuse designation

PPN-X₁X₂-X₃X₄-X₅-X₆...A-UHL3-KEAZ

PPN	- Designation of the series							
X₁X₂	- two-digit number: designation of the clearance							
	Indication	33		35	37	39	41	
	Maximum clearance current, A	100	160	160	250	400	630	1250
	Clearance	00C	00	0	1	2	3	4
X₃	- Digit. Designation of the delivery set: X - without base (fusible link)							
X₄	- Digit. Designation of the presence of a trigger indicator: 0 - w/o trigger indicator; 3 - w/trigger indicator							
X₅	- Digit. clearance - 00C; 00; 0; 1; 2; 3; 4							
X₆...A	- Digit. Value of the rated current of the fuse link, A							
UHL3	- Climatic version in accordance with GOST 15150; UHL3							
KEAZ	- Trademark							

*) See the structure of the base designation

Typical version
Fuse PPN-33-23-00C-100A-UHL3-KEAZ
Fuse PPN-33-H3-00C-100A-UHL3-KEAZ

Designation structure основания

PPN-XX-IH-UHL3-KEAZ

PPN	- Designation of the series		
XX	- Two-digit or single-digit number - designation of the clearance: 00; 0; 1; 2; 3; 4		
IH	- Letter "I" - the version of the base and the digit - the version number:		
	1	1B	2
	see Figure		
	page 274		page 275
UHL3	- Climatic version in accordance with GOST 15150-69; UHL3		
KEAZ	- Trademark		

Record example:
Base PPN-00-I1-B-UHL3-KEAZ

Specifications

Installation method:

- mounted on its own insulating base, in the base contacts.



Operation conditions:






- climatic category: UHL3;
- operating temperature range: -60°C to +40°C;
- operating conditions group: M7, M25;
- working position in space: vertical or horizontal.





Type			Rated current, A	Rated voltage, V AC	Power loss (W) at I_n	Limit breaking current, kA alternating current	Packing, pcs	Weight, kg
PPN-33-H3 (H0)	clearance	00C	6	500	1.6	50	5	0.2
PPN-33-H3 (H0)	clearance	00C	10	500	1.7	50	5	0.2
PPN-33-H3 (H0)	clearance	00C	16	500	1.8	50	5	0.2
PPN-33-H3 (H0)	clearance	00C	20	500	1.9	50	5	0.2
PPN-33-H3 (H0)	clearance	00C	25	500	2.0	50	5	0.2
PPN-33-H3 (H0)	clearance	00C	32	500	2.1	50	5	0.2
PPN-33-H3 (H0)	clearance	00C	40	500	3.1	50	5	0.2
PPN-33-H3 (H0)	clearance	00C	50	500	4.3	50	5	0.2
PPN-33-H3 (H0)	clearance	00C	63	500	5.8	50	5	0.2
PPN-33-H3 (H0)	clearance	00C	80	500	9.0	50	5	0.2
PPN-33-H3 (H0)	clearance	00C	100	500	11	50	5	0.2
PPN-33-H3 (H0)	clearance	00	6	500	1.6	50	5	0.2
PPN-33-H3 (H0)	clearance	00	10	500	1.7	50	5	0.2
PPN-33-H3 (H0)	clearance	00	16	500	1.8	50	5	0.2
PPN-33-H3 (H0)	clearance	00	20	500	1.9	50	5	0.2
PPN-33-H3 (H0)	clearance	00	25	500	2.0	50	5	0.2
PPN-33-H3 (H0)	clearance	00	32	500	2.1	50	5	0.2
PPN-33-H3 (H0)	clearance	00	40	500	3.1	50	5	0.2
PPN-33-H3 (H0)	clearance	00	50	500	4.3	50	5	0.2
PPN-33-H3 (H0)	clearance	00	63	500	5.8	50	5	0.2
PPN-33-H3 (H0)	clearance	00	80	500	9.0	50	5	0.2
PPN-33-H3 (H0)	clearance	00	100	500	10.2	50	5	0.2
PPN-33-H3 (H0)	clearance	00	125	500	12.2	50	5	0.2
PPN-33-H3 (H0)	clearance	00	160	500	14.4	50	5	0.2
PPN-33-H3 (H0)	clearance	0	40	500	3.1	50	5	0.26
PPN-33-H3 (H0)	clearance	0	50	500	4.3	50	5	0.26
PPN-33-H3 (H0)	clearance	0	63	500	5.8	50	5	0.26
PPN-33-H3 (H0)	clearance	0	80	500	9.0	50	5	0.26
PPN-33-H3 (H0)	clearance	0	100	500	10.2	50	5	0.26
PPN-33-H3 (H0)	clearance	0	125	500	12.2	50	5	0.26
PPN-33-H3 (H0)	clearance	0	160	500	16	50	5	0.26
PPN-35-H3 (H0)	clearance	1	10	500	1.7	50	5	0.27
PPN-35-H3 (H0)	clearance	1	16	500	1.8	50	5	0.27
PPN-35-H3 (H0)	clearance	1	20	500	1.9	50	5	0.27
PPN-35-H3 (H0)	clearance	1	32	500	2.1	50	5	0.27
PPN-35-H3 (H0)	clearance	1	63	500	5.8	50	5	0.27
PPN-35-H3 (H0)	clearance	1	80	500	9.0	50	5	0.27
PPN-35-H3 (H0)	clearance	1	100	500	11	50	5	0.27
PPN-35-H3 (H0)	clearance	1	125	500	12.2	50	5	0.27
PPN-35-H3 (H0)	clearance	1	160	500	16	50	5	0.27
PPN-35-H3 (H0)	clearance	1	200	500	18.6	50	5	0.27
PPN-35-H3 (H0)	clearance	1	250	500	23	50	5	0.27
PPN-37-H3 (H0)	clearance	2	40	500	3.1	50	5	0.5
PPN-37-H3 (H0)	clearance	2	50	500	4.3	50	5	0.5
PPN-37-H3 (H0)	clearance	2	63	500	5.8	50	5	0.5




Type		Rated current, A	Rated voltage, V AC	Power loss (W) at I _n	Limit breaking current, kA alternating current	Packing, pcs	Weight, kg	
PPN-37-H3 (H0)	clearance	2	80	500	9.0	50	5	0.5
PPN-37-H3 (H0)	clearance	2	100	500	11	50	5	0.5
PPN-37-H3 (H0)	clearance	2	125	500	12.2	50	5	0.5
PPN-37-H3 (H0)	clearance	2	160	500	14.4	50	5	0.5
PPN-37-H3 (H0)	clearance	2	200	500	18.6	50	5	0.5
PPN-37-H3 (H0)	clearance	2	250	500	23	50	5	0.5
PPN-37-H3 (H0)	clearance	2	315	500	30.5	50	5	0.5
PPN-37-H3 (H0)	clearance	2	400	500	34.0	50	5	0.5
PPN-39-H3 (H0)	clearance	3	100	500	11	50	5	1.1
PPN-39-H3 (H0)	clearance	3	160	500	14.4	50	5	1.1
PPN-39-H3 (H0)	clearance	3	200	500	18.6	50	5	1.1
PPN-39-H3 (H0)	clearance	3	250	500	23	50	5	1.1
PPN-39-H3 (H0)	clearance	3	315	500	30.5	50	5	1.1
PPN-39-H3 (H0)	clearance	3	400	500	34.0	50	5	1.1
PPN-39-H3 (H0)	clearance	3	500	500	40.3	50	5	1.1
PPN-39-H3 (H0)	clearance	3	630	500	48	50	5	1.1
PPN-41-H3 (H0)	clearance	4	630	500	48	50	5	2.6
PPN-41-H3 (H0)	clearance	4	800	500	60.0	50	5	2.6
PPN-41-H3 (H0)	clearance	4	1000	500	90.0	50	5	2.6
PPN-41-H3 (H0)	clearance	4	1250	500	110.0	50	5	2.6

Item numbers

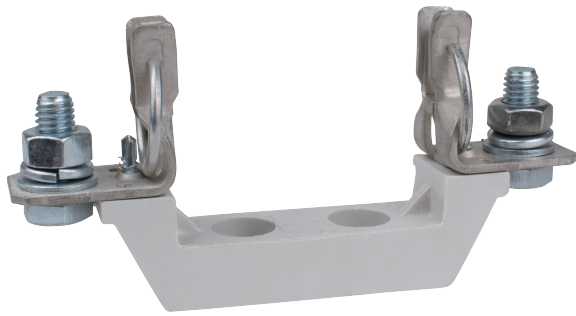
	Name	Clearance	Rated current of fuse, A	Item number
	Fuse PPN-33-H0-00C-6A-UHL3	00C	6	111300
	Fuse PPN-33-H0-00C-10A-UHL3	00C	10	111292
	Fuse PPN-33-H0-00C-16A-UHL3	00C	16	111294
	Fuse PPN-33-H0-00C-20A-UHL3	00C	20	111295
	Fuse PPN-33-H0-00C-25A-UHL3	00C	25	111296
	Fuse PPN-33-H0-00C-32A-UHL3	00C	32	111297
	Fuse PPN-33-H0-00C-40A-UHL3	00C	40	111298
	Fuse PPN-33-H0-00C-50A-UHL3	00C	50	111299
	Fuse PPN-33-H0-00C-63A-UHL3	00C	63	111301
	Fuse PPN-33-H0-00C-80A-UHL3	00C	80	111302
	Fuse PPN-33-H0-00C-100A-UHL3	00C	100	111293
	Fuse PPN-33-H0-00-6A-UHL3	00	6	111289
	Fuse PPN-33-H0-00-10A-UHL3	00	10	111279
	Fuse PPN-33-H0-00-16A-UHL3	00	16	111282
	Fuse PPN-33-H0-00-20A-UHL3	00	20	111284
	Fuse PPN-33-H0-00-25A-UHL3	00	25	111285
	Fuse PPN-33-H0-00-32A-UHL3	00	32	111286
	Fuse PPN-33-H0-00-40A-UHL3	00	40	111287
	Fuse PPN-33-H0-00-50A-UHL3	00	50	111288
	Fuse PPN-33-H0-00-63A-UHL3	00	63	111290
	Fuse PPN-33-H0-00-80A-UHL3	00	80	111291
	Fuse PPN-33-H0-00-100A-UHL3	00	100	111280
	Fuse PPN-33-H0-00-125A-UHL3	00	125	111281
	Fuse PPN-33-H0-00-160A-UHL3	00	160	111283

	Name	Clearance	Rated current of fuse, A	Item number
	Fuse PPN-33-H0-0-4A-UHL3	0	4	244892
	Fuse PPN-33-H0-0-16A-UHL3	0	16	244888
	Fuse PPN-33-H0-0-20A-UHL3	0	20	244889
	Fuse PPN-33-H0-0-25A-UHL3	0	25	244890
	Fuse PPN-33-H0-0-32A-UHL3	0	32	244891
	Fuse PPN-33-H0-0-40A-UHL3	0	40	244860
	Fuse PPN-33-H0-0-50A-UHL3	0	50	244861
	Fuse PPN-33-H0-0-63A-UHL3	0	63	244862
	Fuse PPN-33-H0-0-80A-UHL3	0	80	244863
	Fuse PPN-33-H0-0-100A-UHL3	0	100	244857
	Fuse PPN-33-H0-0-125A-UHL3	0	125	244858
Fuse PPN-33-H0-0-160A-UHL3	0	160	244859	
	Fuse PPN-35-H0-1-10A-UHL3	1	10	111303
	Fuse PPN-35-H0-1-16A-UHL3	1	16	111306
	Fuse PPN-35-H0-1-20A-UHL3	1	20	111308
	Fuse PPN-35-H0-1-25A-UHL3	1	25	244910
	Fuse PPN-35-H0-1-32A-UHL3	1	32	111311
	Fuse PPN-35-H0-1-40A-UHL3	1	40	244911
	Fuse PPN-35-H0-1-50A-UHL3	1	50	244912
	Fuse PPN-35-H0-1-63A-UHL3	1	63	111312
	Fuse PPN-35-H0-1-80A-UHL3	1	80	111313
	Fuse PPN-35-H0-1-100A-UHL3	1	100	111304
	Fuse PPN-35-H0-1-125A-UHL3	1	125	111305
	Fuse PPN-35-H0-1-160A-UHL3	1	160	111307
	Fuse PPN-35-H0-1-200A-UHL3	1	200	111309
Fuse PPN-35-H0-1-250A-UHL3	1	250	111310	
	Fuse PPN-37-H0-2-40A-UHL3	2	40	111320
	Fuse PPN-37-H0-2-50A-UHL3	2	50	111322
	Fuse PPN-37-H0-2-63A-UHL3	2	63	111323
	Fuse PPN-37-H0-2-80A-UHL3	2	80	111324
	Fuse PPN-37-H0-2-100A-UHL3	2	100	111314
	Fuse PPN-37-H0-2-125A-UHL3	2	125	111315
	Fuse PPN-37-H0-2-160A-UHL3	2	160	111316
	Fuse PPN-37-H0-2-200A-UHL3	2	200	111317
	Fuse PPN-37-H0-2-250A-UHL3	2	250	111318
	Fuse PPN-37-H0-2-315A-UHL3	2	315	111319
	Fuse PPN-37-H0-2-355A-UHL3	2	355	244924
Fuse PPN-37-H0-2-400A-UHL3	2	400	111321	
	Fuse PPN-39-H0-3-63A-UHL3	3	63	244936
	Fuse PPN-39-H0-3-100A-UHL3	3	100	244925
	Fuse PPN-39-H0-3-125A-UHL3	3	125	244933
	Fuse PPN-39-H0-3-160A-UHL3	3	160	244926
	Fuse PPN-39-H0-3-200A-UHL3	3	200	244927
	Fuse PPN-39-H0-3-250A-UHL3	3	250	111328
	Fuse PPN-39-H0-3-315A-UHL3	3	315	244929
	Fuse PPN-39-H0-3-355A-UHL3	3	355	244934
	Fuse PPN-39-H0-3-400A-UHL3	3	400	244930
	Fuse PPN-39-H0-3-500A-UHL3	3	500	111331
Fuse PPN-39-H0-3-630A-UHL3	3	630	111332	
	Fuse PPN-41-H0-4-630A-UHL3	4	630	244940
	Fuse PPN-41-H0-4-800A-UHL3	4	800	244941
	Fuse PPN-41-H0-4-1000A-UHL3	4	1000	111333
	Fuse PPN-41-H0-4-1250A-UHL3	4	1250	244938
	Fuse PPN-41-H0-4-1600A-UHL3	4	1600	244939
	Fuse PPN-41-H0-4A-630A-UHL3	4a	630	248882
	Fuse PPN-41-H0-4A-800A-UHL3	4a	800	248883
	Fuse PPN-41-H0-4A-1000A-UHL3	4a	1000	244942
	Fuse PPN-41-H0-4A-1250A-UHL3	4a	1250	248884
	Fuse PPN-41-H0-4A-1600A-UHL3	4a	1600	248885

	Name	Clearance	Rated current of fuse, A	Item number
	Fuse PPN-33-X3-00C-6A-UHL3	00C	6	111368
	Fuse PPN-33-X3-00C-10A-UHL3	00C	10	111360
	Fuse PPN-33-X3-00C-16A-UHL3	00C	16	111362
	Fuse PPN-33-X3-00C-20A-UHL3	00C	20	111363
	Fuse PPN-33-X3-00C-25A-UHL3	00C	25	111364
	Fuse PPN-33-X3-00C-32A-UHL3	00C	32	111365
	Fuse PPN-33-X3-00C-40A-UHL3	00C	40	111366
	Fuse PPN-33-X3-00C-50A-UHL3	00C	50	111367
	Fuse PPN-33-X3-00C-63A-UHL3	00C	63	111369
	Fuse PPN-33-X3-00C-80A-UHL3	00C	80	111370
	Fuse PPN-33-X3-00C-100A-UHL3	00C	100	111361
	Fuse PPN-33-X3-00-6A-UHL3	00	6	111357
	Fuse PPN-33-X3-00-10A-UHL3	00	10	111347
	Fuse PPN-33-H3-00-10A-T3	00	10	120172
	Fuse PPN-33-X3-00-16A-UHL3	00	16	111350
	Fuse PPN-33-X3-00-20A-UHL3	00	20	111352
	Fuse PPN-33-H3-00-20A-T3	00	20	120178
	Fuse PPN-33-X3-00-25A-UHL3	00	25	111353
	Fuse PPN-33-X3-00-32A-UHL3	00	32	111354
	Fuse PPN-33-H3-00-32A-T3	00	32	120181
	Fuse PPN-33-X3-00-40A-UHL3	00	40	111355
	Fuse PPN-33-H3-00-40A-T3	00	40	120183
	Fuse PPN-33-X3-00-50A-UHL3	00	50	111356
	Fuse PPN-33-X3-00-63A-UHL3	00	63	111358
	Fuse PPN-33-H3-00-63A-T3	00	63	120188
	Fuse PPN-33-X3-00-80A-UHL3	00	80	111359
	Fuse PPN-33-X3-00-100A-UHL3	00	100	111348
	Fuse PPN-33-H3-00-100A-T3	00	100	120193
Fuse PPN-33-X3-00-125A-UHL3	00	125	111349	
Fuse PPN-33-X3-00-160A-UHL3	00	160	111351	
	Fuse PPN-33-H3-0-4A-UHL3	0	4	120203
	Fuse PPN-33-H3-0-16A-UHL3	0	16	120212
	Fuse PPN-33-H3-0-20A-UHL3	0	20	120214
	Fuse PPN-33-H3-0-25A-UHL3	0	25	120216
	Fuse PPN-33-H3-0-32A-UHL3	0	32	120218
	Fuse PPN-33-X3-0-40A-UHL3	0	40	111342
	Fuse PPN-33-X3-0-50A-UHL3	0	50	111344
	Fuse PPN-33-X3-0-63A-UHL3	0	63	111345
	Fuse PPN-33-X3-0-80A-UHL3	0	80	111346
	Fuse PPN-33-X3-0-100A-UHL3	0	100	111338
	Fuse PPN-33-X3-0-125A-UHL3	0	125	111339
Fuse PPN-33-X3-0-160A-UHL3	0	160	111341	
	Fuse PPN-35-X3-1-10A-UHL3	1	10	111371
	Fuse PPN-35-X3-1-16A-UHL3	1	16	111374
	Fuse PPN-35-X3-1-20A-UHL3	1	20	111376
	Fuse PPN-35-H3-1-25A-UHL3	1	25	120225
	Fuse PPN-35-X3-1-32A-UHL3	1	32	111379
	Fuse PPN-35-H3-1-40A-UHL3	1	40	120229
	Fuse PPN-35-H3-1-50A-UHL3	1	50	120232
	Fuse PPN-35-X3-1-63A-UHL3	1	63	111380
	Fuse PPN-35-X3-1-80A-UHL3	1	80	111381
	Fuse PPN-35-X3-1-100A-UHL3	1	100	111372
	Fuse PPN-35-X3-1-125A-UHL3	1	125	111373
	Fuse PPN-35-X3-1-160A-UHL3	1	160	111375
	Fuse PPN-35-X3-1-200A-UHL3	1	200	111377
	Fuse PPN-35-X3-1-250A-UHL3	1	250	111378

	Name	Clearance	Rated current of fuse, A	Item number
	Fuse PPN-37-X3-2-40A-UHL3	2	40	111388
	Fuse PPN-37-X3-2-50A-UHL3	2	50	111391
	Fuse PPN-37-X3-2-63A-UHL3	2	63	111392
	Fuse PPN-37-X3-2-80A-UHL3	2	80	111393
	Fuse PPN-37-X3-2-100A-UHL3	2	100	111382
	Fuse PPN-37-X3-2-125A-UHL3	2	125	111383
	Fuse PPN-37-X3-2-160A-UHL3	2	160	111384
	Fuse PPN-37-X3-2-200A-UHL3	2	200	111385
	Fuse PPN-37-X3-2-250A-UHL3	2	250	111386
	Fuse PPN-37-X3-2-315A-UHL3	2	315	111387
	Fuse PPN-37-H3-2-355A-UHL3	2	355	120250
	Fuse PPN-37-X3-2-400A-UHL3	2	400	111390
	Fuse PPN-39-H3-3-63A-UHL3	3	63	120254
	Fuse PPN-39-X3-3-100A-UHL3	3	100	111394
	Fuse PPN-39-H3-3-125A-UHL3	3	125	120257
	Fuse PPN-39-X3-3-160A-UHL3	3	160	111395
	Fuse PPN-39-X3-3-200A-UHL3	3	200	111396
	Fuse PPN-39-X3-3-250A-UHL3	3	250	111397
	Fuse PPN-39-X3-3-315A-UHL3	3	315	111398
	Fuse PPN-39-H3-3-355A-UHL3	3	355	120259
	Fuse PPN-39-X3-3-400A-UHL3	3	400	111399
	Fuse PPN-39-H3-3-400A-T3	3	400	120260
	Fuse PPN-39-X3-3-500A-UHL3	3	500	111400
	Fuse PPN-39-X3-3-630A-UHL3	3	630	111401
	Fuse PPN-41-X3-4-630A-UHL3	4	630	111404
	Fuse PPN-41-X3-4-800A-UHL3	4	800	111405
	Fuse PPN-41-X3-4-1000A-UHL3	4	1000	111402
	Fuse PPN-41-X3-4-1250A-UHL3	4	1250	111403
	Fuse PPN-41-X3-4-1600A-UHL3	4	1600	240221
	Fuse PPN-41-H3-4A-1000A-UHL3	4A	1000	120268
	Fuse PPN-33-X1-00-2A-UHL3	00	2	120166
	Fuse PPN-33-X1-00-4A-UHL3	00	4	120169
	Fuse PPN-33-X1-00-6A-UHL3	00	6	120170
	Fuse PPN-33-X1-00-10A-UHL3	00	10	120173
	Fuse PPN-33-X1-00-12A-UHL3	00	12	120175
	Fuse PPN-33-X1-00-16A-UHL3	00	16	120177
	Fuse PPN-33-X1-00-20A-UHL3	00	20	120179
	Fuse PPN-33-X1-00-25A-UHL3	00	25	120180
	Fuse PPN-33-X1-00-32A-UHL3	00	32	120182
	Fuse PPN-33-X1-00-40A-UHL3	00	40	120185
	Fuse PPN-33-X1-00-50A-UHL3	00	50	120186
	Fuse PPN-33-X1-00-63A-UHL3	00	63	120190
	Fuse PPN-33-X1-00-80A-UHL3	00	80	120192
	Fuse PPN-33-X1-00-100A-UHL3	00	100	120194
	Fuse PPN-33-X1-00-125A-UHL3	00	125	120196
	Fuse PPN-33-X1-00-160A-UHL3	00	160	120197
	Fuse PPN-35-X1-1-125A-UHL3	1	125	120235
	Fuse PPN-35-X1-1-160A-UHL3	1	160	120236
	Fuse PPN-37-X1-2-100A-UHL3	2	100	120244
	Fuse PPN-37-X1-2-160A-UHL3	2	160	120245
	Fuse PPN-37-X1-2-250A-UHL3	2	250	120247
	Fuse PPN-37-X1-2-315A-UHL3	2	315	120248
	Fuse PPN-37-X1-2-400A-UHL3	2	400	120251
	Fuse PPN-39-X1-3-400A-UHL3	3	400	120261
	Fuse PPN-41-X1-4A-1600A-UHL3	4A	1600	120272

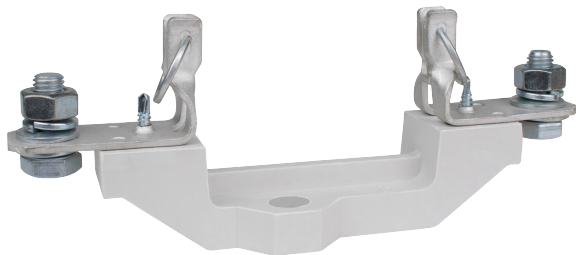
Additional devices



Base PPN-00-I2-UHL3-KEAZ



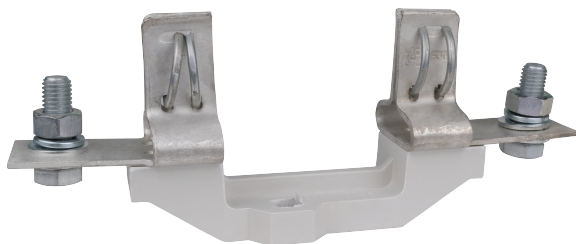
Base PPN-0-I2-UHL3-KEAZ



Base PPN-1-I2-UHL3-KEAZ



Base PPN-2-I2-UHL3-KEAZ



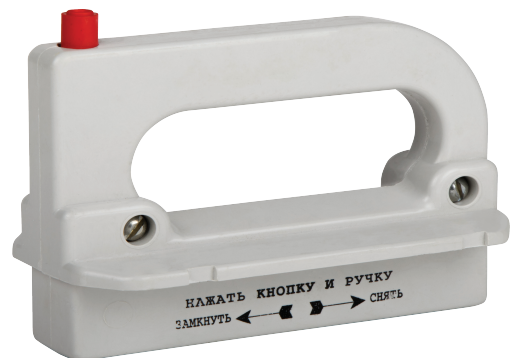
Base PPN-3-I2-UHL3-KEAZ



Base PPN-00-I2-UHL3-KEAZ

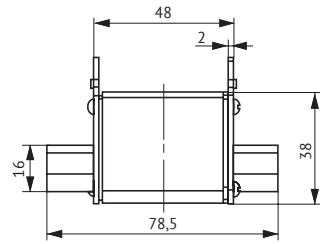
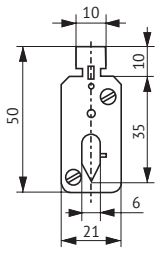


Removal handle PPN/PN2-F-UHL3-KEAZ



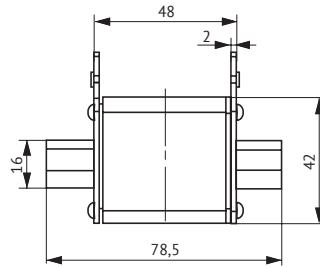
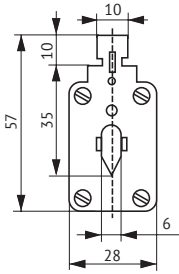
Removal handle PPN/PN2-UHL3-KEAZ

Overall and mounting dimensions and weight



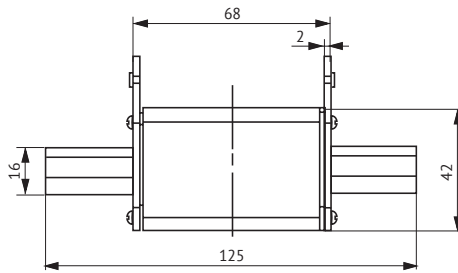
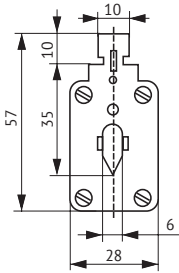
Fuse
PPN-33 clearance 00C

Weight 0.12 kg



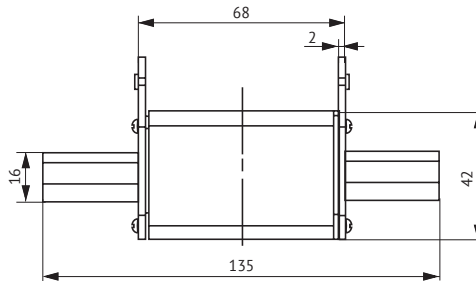
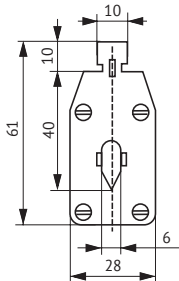
Fuse
PPN-33 clearance 00C

Weight 0.16 kg



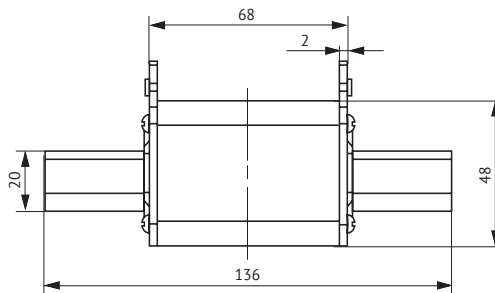
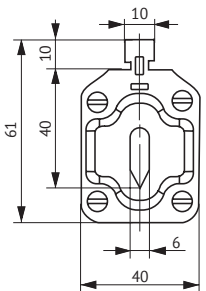
Fuse
PPN-33 clearance 00C

Weight 0.22 kg



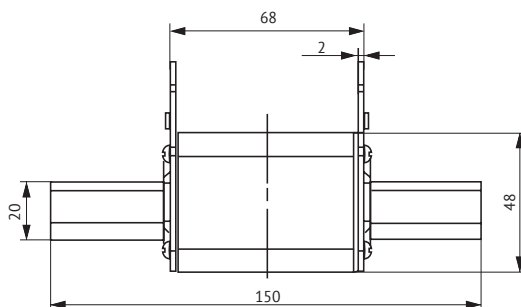
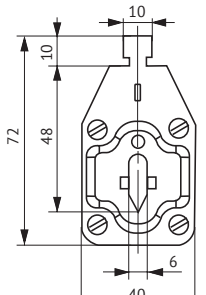
Fuse
PPN-35 clearance 1 (6 - 160 A)

Weight 0.23 kg



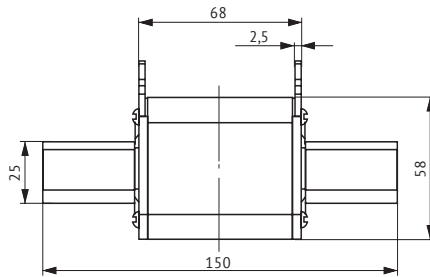
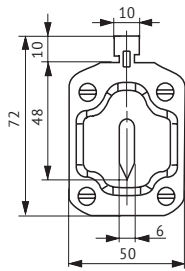
Fuse
PPN-35 clearance 1 (200 - 250 A)

Weight 0.36 kg



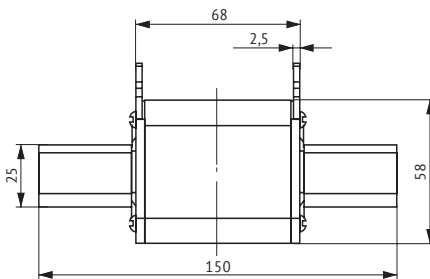
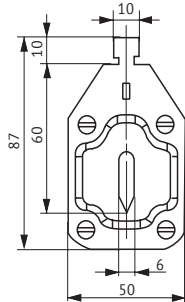
Fuse
PPN-37 clearance 2 (40 - 250 A)

Weight 0.38 kg



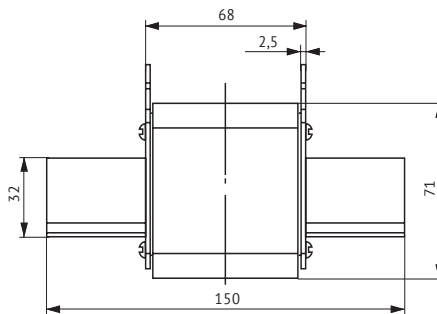
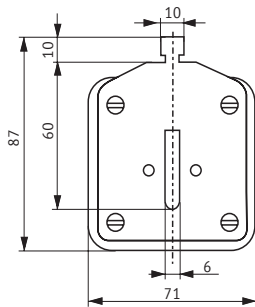
Fuse
PPN-37 clearance 2 (315 - 400 A)

Weight 0.56 kg



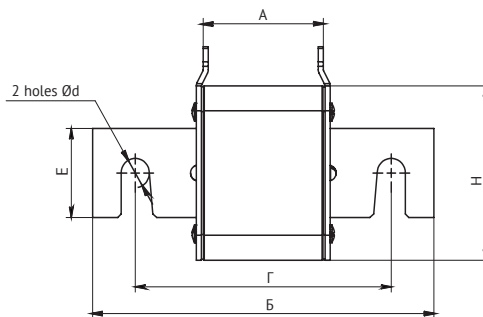
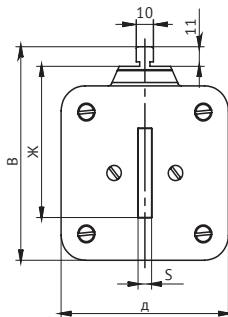
Fuse
PPN-39 clearance 3 (100 - 400 A)

Weight 0.57 kg



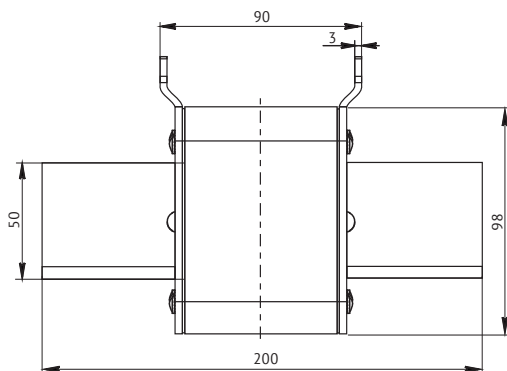
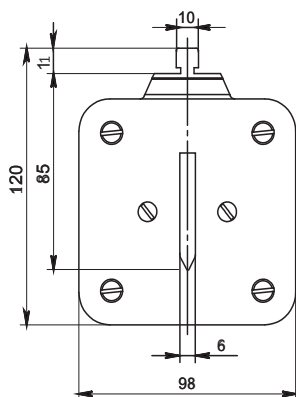
Fuse
PPN-39 clearance 3 (500 - 630 A)

Weight 0.93 kg



Fuse
PPN-41 clearance 4 (630 - 1250 A)

Type of Fuse	Clearance	Dimention, mm								Weight, kg	
		Б	В	Г	Д	Е	д	Ж	С		
PPN-41 (630 A)	4	68	87	71	35			60	6	1,1	
PPN-41 (800-1000 A)		72	200	110	150	80	50	16,5	85	8	1,63
PPN-41 (1250 A)		70		120		98					2,12

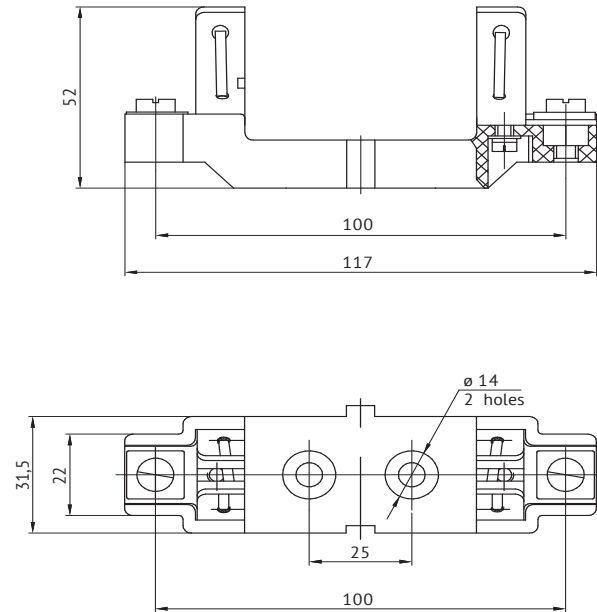


Fuse
PPN-41 clearance 4a (400 - 1250 A)

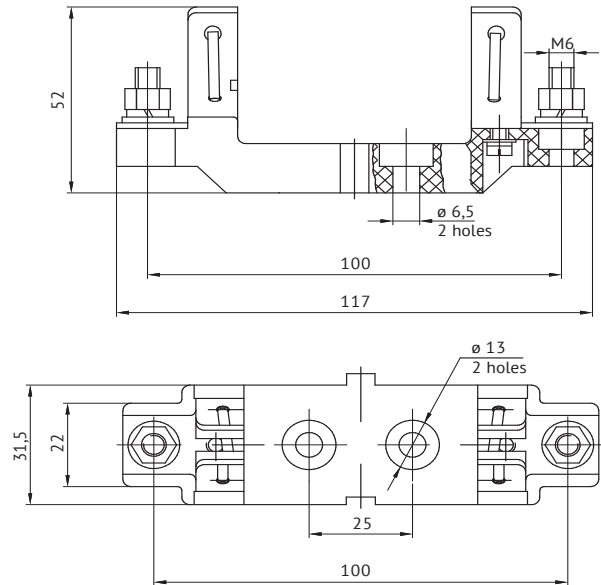
Weight 2.2 kg

Fuses installed in the bases I1V; I1

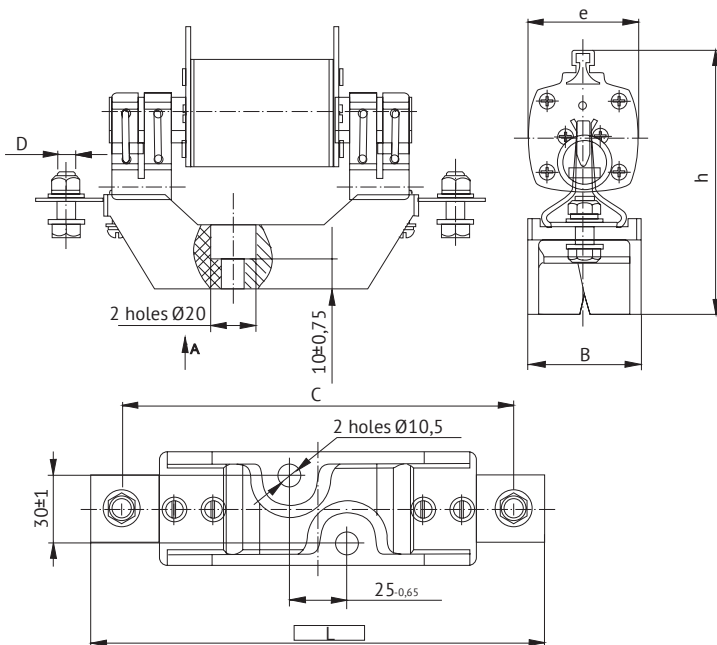
Fuses PPN-33, with clearances 00C and 00, installed in I1V bases (with fastening of lead wires under a screw)



Fuses PPN-33, with clearances 00C and 00, installed in I1 bases (with fastening of lead wires under a nut)



Fuses PPN-33, PPN-35, PPN-37, PPN-39 with clearances 0, 1, 2 and 3, installed in I1 bases

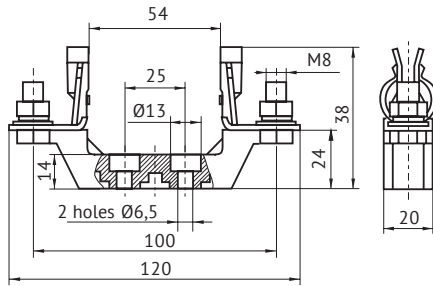


Type	Clearance of fuse link	Designation of base	Dimension, mm						Weight, kg, max
			L	C	D	B	e (max)	h (max)	
PPN-33	0	I1	202+3,5	175+1,5	M10	50	30	105	0,65
PPN-35	1		225+3,5	200+1,5		60	52	115	0,7
PPN-37	2		241+3,5	210+1,5	M12	60	66	135	1,1
PPN-39	3		241+3,5	210+1,5		60	66	135	2,0

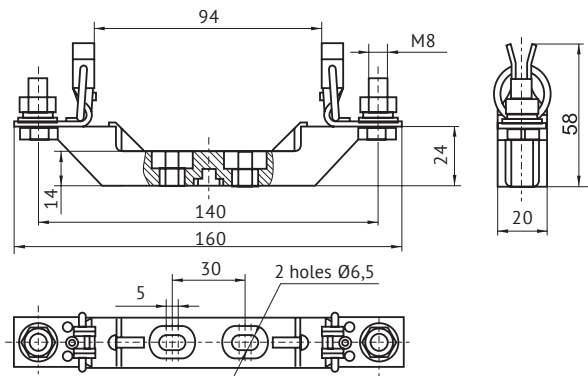
Note: clearance 00 Fuses can be used in bases I1V and I1 up to and including rated current 100 A

Base holders PPN (version I2)

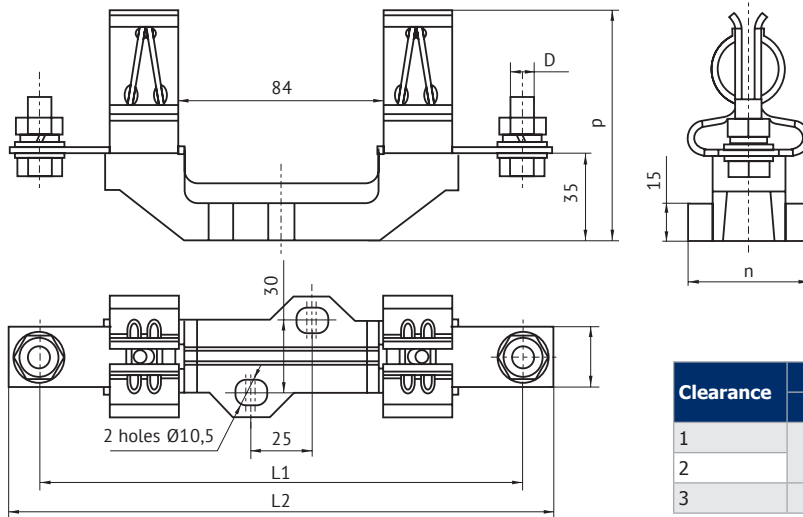
clearance 00C, 00



clearance 0 m=0.13 kg

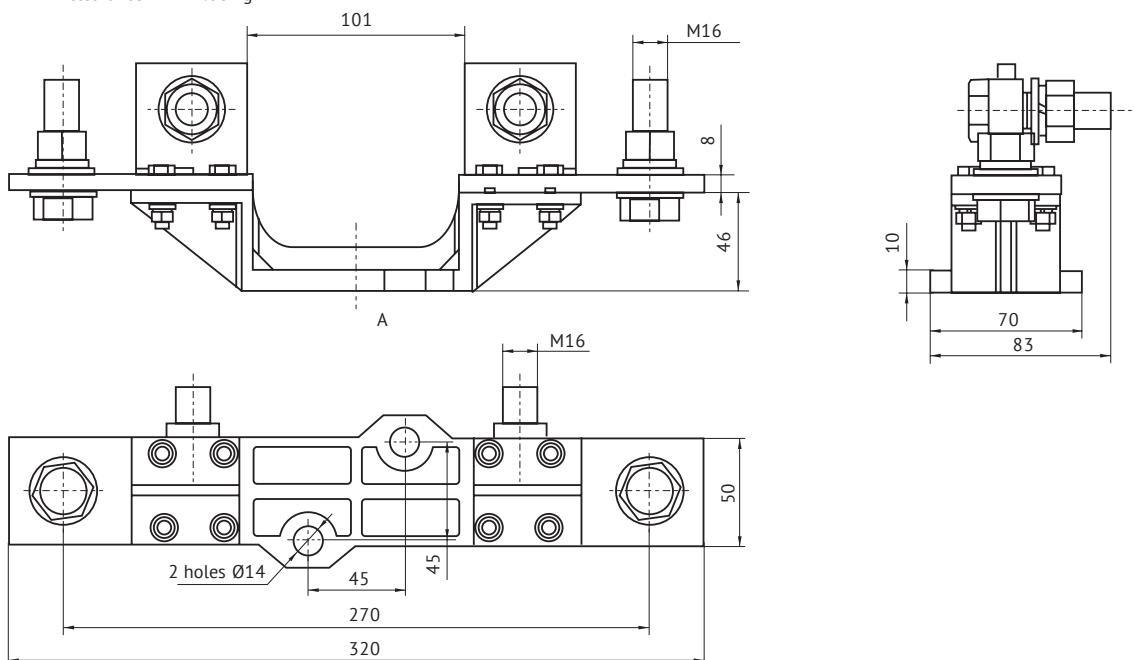


clearance 1, 2, 3



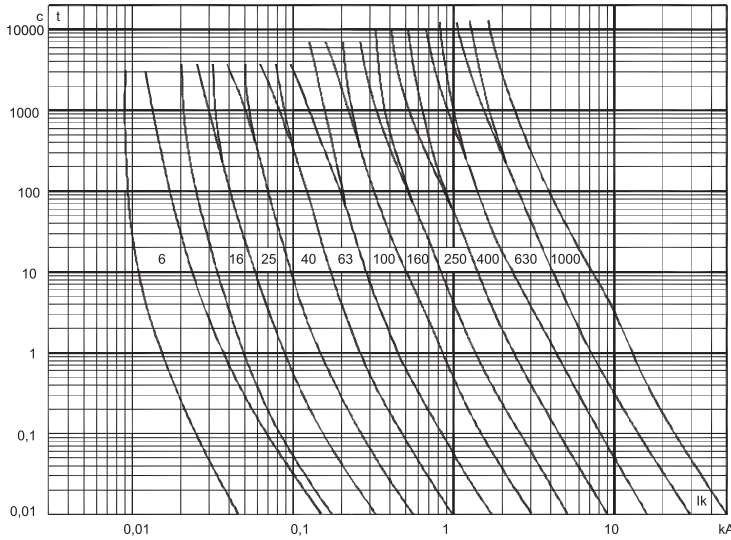
Clearance	Dimention, mm						Weight, kg
	b	L1	L2	n	p	D	
1	25	175	200	50	75	M10	0,35
2		200	225		95		0,48
3	30	210	245	52		M12	0,68

clearance 4 m=1.68 kg



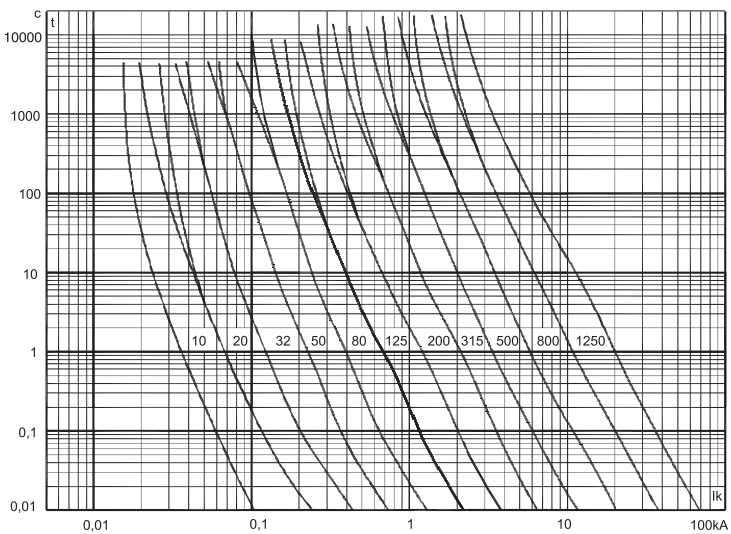
Characteristics of Fuses

Zone of time-current characteristics



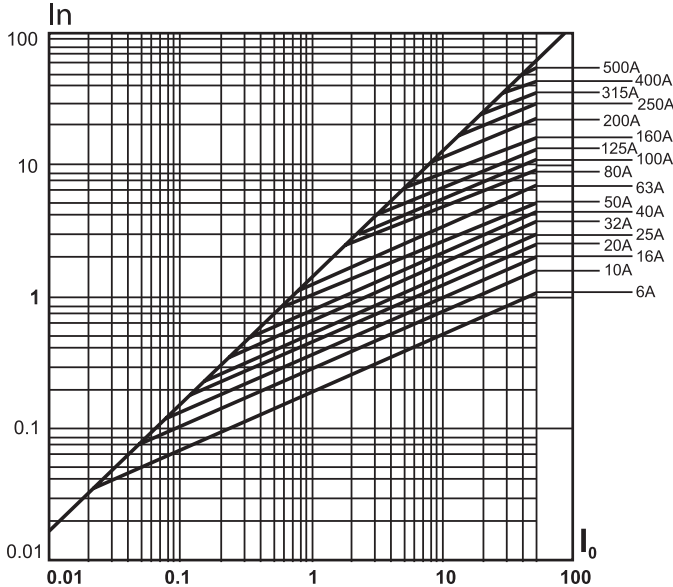
I_k - expected current (acting value)

Zone of time-current characteristics



I_k - expected current (acting value)

Transmission Current Characteristics



I_0 - shutdown current, kA
 I_n - current passed by the fuse, kA

Архангельск (8182)63-90-72
 Астана (7172)727-132
 Астрахань (8512)99-46-04
 Барнаул (3852)73-04-60
 Белгород (4722)40-23-64
 Брянск (4832)59-03-52
 Владивосток (423)249-28-31
 Волгоград (844)278-03-48
 Вологда (8172)26-41-59
 Воронеж (473)204-51-73
 Екатеринбург (343)384-55-89
 Иваново (4932)77-34-06

Ижевск (3412)26-03-58
 Иркутск (395)279-98-46
 Казань (843)206-01-48
 Калининград (4012)72-03-81
 Калуга (4842)92-23-67
 Кемерово (3842)65-04-62
 Киров (8332)68-02-04
 Краснодар (861)203-40-90
 Красноярск (391)204-63-61
 Курск (4712)77-13-04
 Липецк (4742)52-20-81
 Киргизия (996)312-96-26-47

Магнитогорск (3519)55-03-13
 Москва (495)268-04-70
 Мурманск (8152)59-64-93
 Набережные Челны (8552)20-53-41
 Нижний Новгород (831)429-08-12
 Новокузнецк (3843)20-46-81
 Новосибирск (383)227-86-73
 Омск (3812)21-46-40
 Орел (4862)44-53-42
 Оренбург (3532)37-68-04
 Пенза (8412)22-31-16
 Казахстан (772)734-952-31

Пермь (342)205-81-47
 Ростов-на-Дону (863)308-18-15
 Рязань (4912)46-61-64
 Самара (846)206-03-16
 Санкт-Петербург (812)309-46-40
 Саратов (845)249-38-78
 Севастополь (8692)22-31-93
 Симферополь (3652)67-13-56
 Смоленск (4812)29-41-54
 Сочи (862)225-72-31
 Ставрополь (8652)20-65-13
 Таджикистан (992)427-82-92-69

Сургут (3462)77-98-35
 Тверь (4822)63-31-35
 Томск (3822)98-41-53
 Тула (4872)74-02-29
 Тюмень (3452)66-21-18
 Ульяновск (8422)24-23-59
 Уфа (347)229-48-12
 Хабаровск (4212)92-98-04
 Челябинск (351)202-03-61
 Череповец (8202)49-02-64
 Ярославль (4852)69-52-93